



### Introduction

Thank you for purchasing our popular HDC Keyless Entry Controller that is used for power locking. The following describes the functionality and programming steps to assist the customer with their setup. For more information, please visit our website at <https://www.poplocks.com> or email us at [support@poplocks.com](mailto:support@poplocks.com).

### Overview

- Read **ALL** instructions before proceeding to install and program.
- The Rc45a can only be programmed with a fob or RS2 flex switch.
- The wireless receiver is compatible with most HDC wireless transmitters.
- You can program up to 10 unique transmitters. After the 10th device, the system will drop the first device programmed in that session.
- Code learning only works for 5 seconds from when the device is powered.
- Every new code learning session will wipe the previous transmitter codes.
- Make sure to have **ALL** transmitters in close proximity when adding or reprogramming.
- Press keys firmly when going through the steps.



### Programming (Transmitter Code Learning)

**Step 1** - After powering the system, within 5 seconds, press both the Lock and Unlock buttons on the compatible transmitter at the same time. The receiver will enter into code learning mode. Additionally, the Unlock Output will send a trigger to confirm programming is active.

**Step 2** - Within 5 seconds after entering the code learning mode, press any button on the transmitter. This will add the transmitter that activated the mode. To add other transmitters, repeat the step by pressing any button on the other transmitters to signal "add" to the receiver. Again, the Unlock Output will trigger each time to tell you the transmitter has been recognized and is compatible to the system.



When Programming keypads, it is recommended to press 5,5,5. Battery keypads require you to press a key first to wake up the keypad before entering code. A green light will confirm the signal has been sent to the controller.

**Step 3** - During code learning, if there is no action after 5 seconds, the system will exit the code learning mode. The Unlock Output will trigger to confirm.

### Package includes:

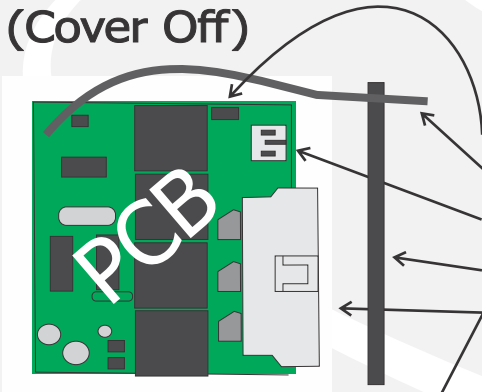
- Rc45a controller
- 6-pin main harness
- 2-pin trigger harness
- T-25 fob(s)
- Instruction guide

### Dual Sequential Locking™ Output

Lock or unlock outputs are sequential. This means the relays will trigger the first channel and then the next channel. This reduces amperage draw and wire size.



### Rc45a Relay Controller (Cover Off)

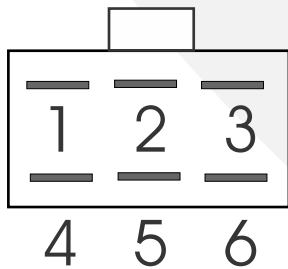


- Input Trigger Switch\***
- Black Antenna**
- 2-Pin Input Trigger**
- Enclosure Base**
- 6-Pin Main Plug**

#### \*Manual Input Analog Signals

The manual input signal is negative by default. If the jumper that is located on Input Trigger Switch is closed, the input signal requires negative to trigger. If the jumper is open, the input signal requires positive to trigger. Any analog input is momentary.

#### Main 6-Pin Plug Details



- 1-Red Power+**
- 2-Blue Output 1 (Lock)**
- 3-White Output 2 (Lock)**
- 4-Green Output 1 (Unlock)**
- 5-Black Ground**
- 6-Brown Output 2 (Unlock)**

Part # V910  
(Optional)  
Rocker Switch



Input Analog Triggers  
Violet (Lock)/Brown (Unlock)  
See Manual  
Input Analog Signals

