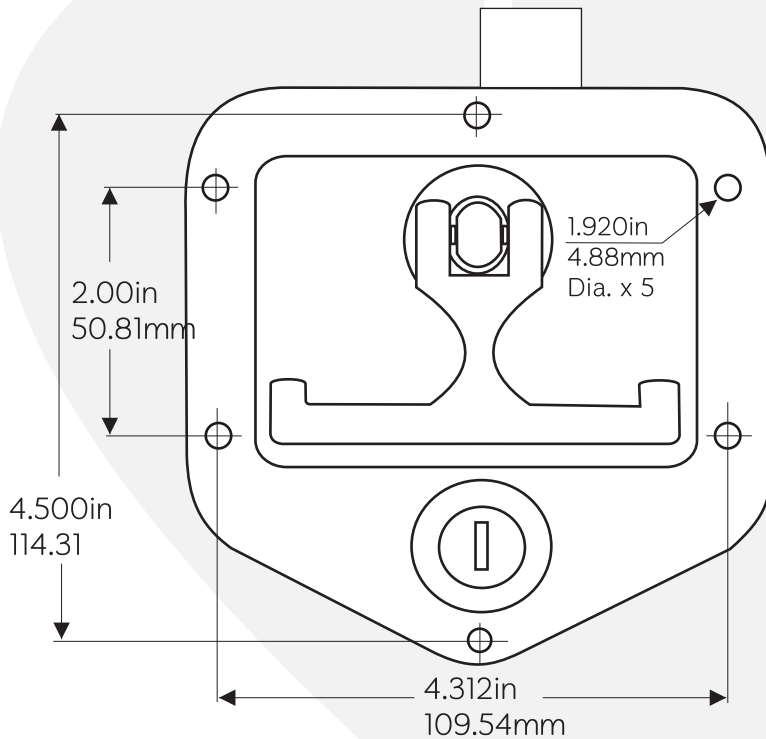


Mounting Holes To Be Matched



VARIATIONS OF MOUNTING HOLES ARE AVAILABLE

Mounting Hole Detail.
Front



OFFSET VARIATIONS PER SPECIFIER

Latch Offset
Right Side View

Ver-8	Part#SST-803	Customer No.

This Document is the property of HDC Inc. It's continece is to be treated as Confidential. The drawing and specification are only to be viewed by qualified persons with in the company to which its been intrusted. Re production and distribution of this enclosure are forbidden.

