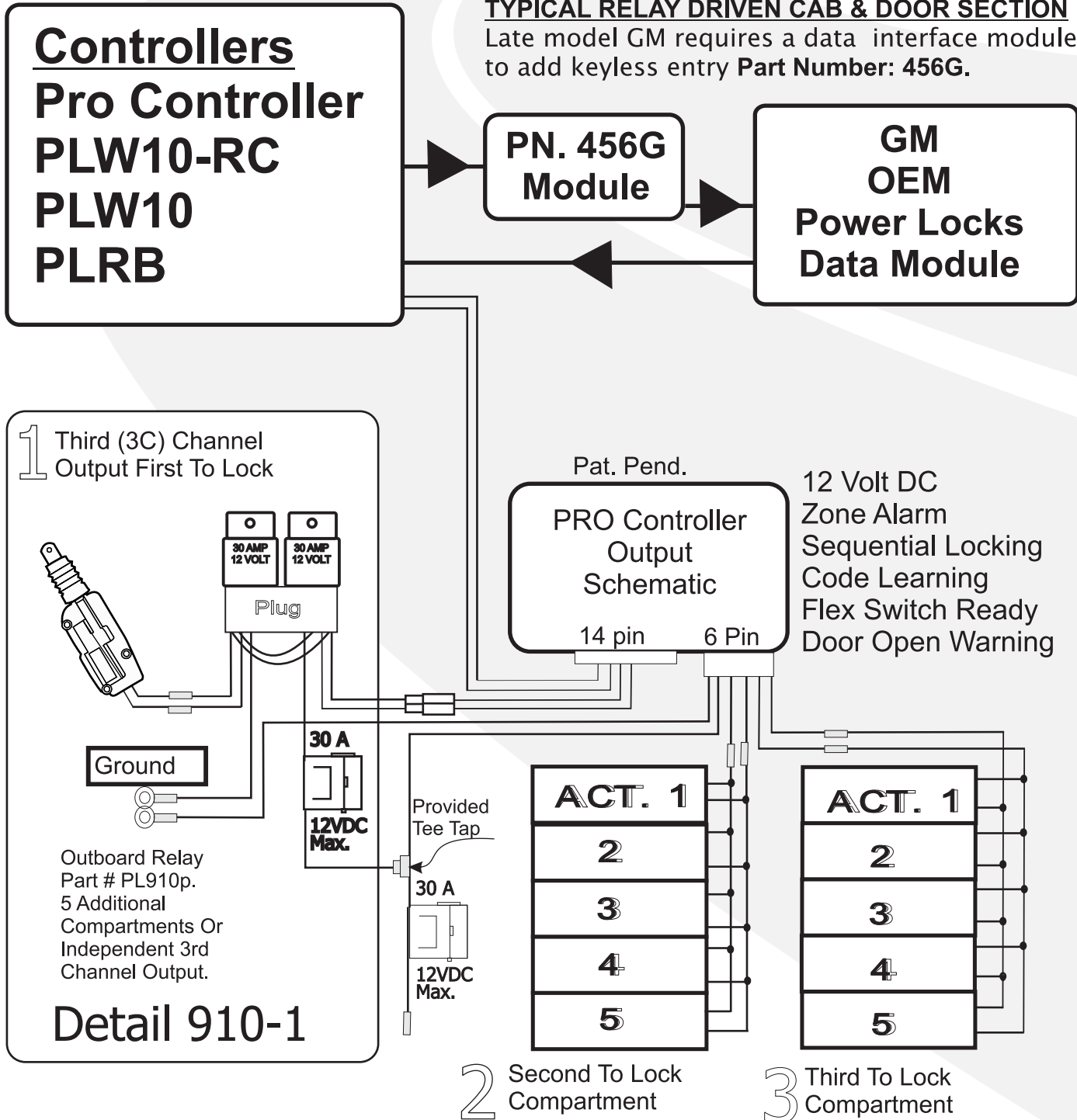


TYPICAL RELAY DRIVEN CAB & DOOR SECTION

Late model GM requires a data interface module to add keyless entry **Part Number: 456G**.



Cab triggered power locking can be done on all vehicles. GM requires OEM actuator input wires be intersected.

