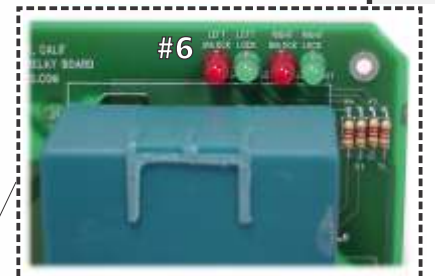


Complete PLRB In Enclosure



Component I.D.

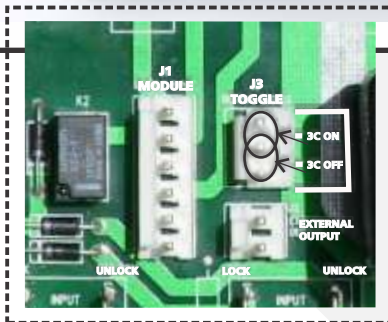
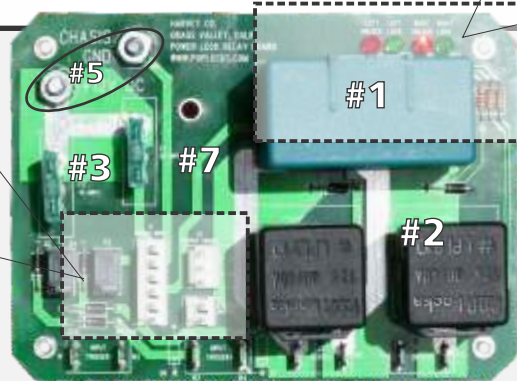
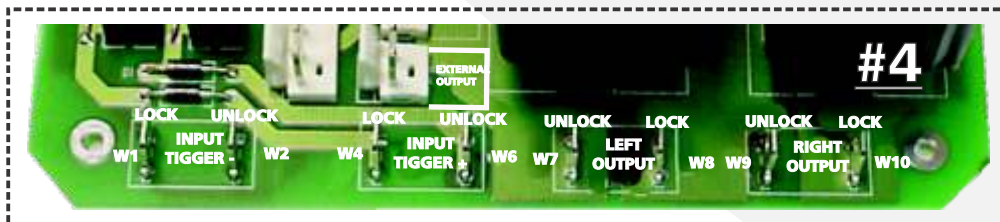


FIG 3



Part List:

- #1 - 6-pin timed relay
- #2 - 5-pin 30/40 relays
- #3 - 30 amp fuses
- #4 - Eight 1/4" stab connectors
- #5 - Power & Ground lugs
- #6 - 2 red - 2 green LED indicators
- #7 - RC unit location and mounting hole



W1,W2 Input Trigger (-): Intended momentary negative input triggering main control module.

W4,W5 Inputs Trigger (+): Intended momentary positive input triggering main control module. Any 12v including circuits that hold a negative at rest.

W7,W8 Outputs: Negative at rest 12-volt, fused ATC @ 30 Amp. Suggested use on vehicles left side wire harness. (See wiring details)

W9,W10 Outputs: Negative at rest 12-volt, fused ATC @ 30 Amp. Suggested use on vehicles right side wire harness. (See wiring details)

J1 Module: Keyless Entry Control Module Input.

J3 Toggle: Dip Switch 3rd Channel Flip/Flop Option.

External Output: 3rd Channel Or Additional Piggy Back Relay Option. Use Provided Jumper And Close Pins Indicated To Activate 3rd Channel. Slave Piggy Pack On, Close Pins 3C As Indicated.



Manage 3 Channel Using Keyfob

Unlock One (Channel1):
 Unlocks Outboard Relay
Unlock Two (Channel 2)*:
 Unlocks The PLRB Control Board
 *Pressed Immediately After



Lock One (Channel 3):
 Locks Outboard And
 Main Control Module

WIRING SCHEMATIC PART #PLRB-RC WITH OUTBOARD RELAY

Shown With Various Triggers.

Outboard Relay
 Part # PL910.
 Max. 5 Additional
 Compartments Or
 Independent 3rd
 Channel Output.

