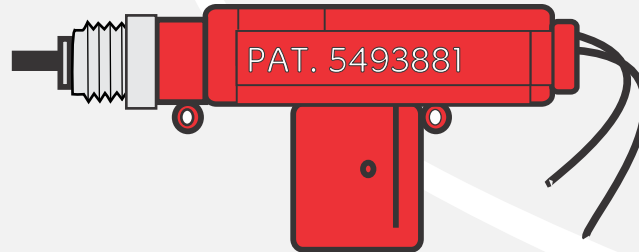
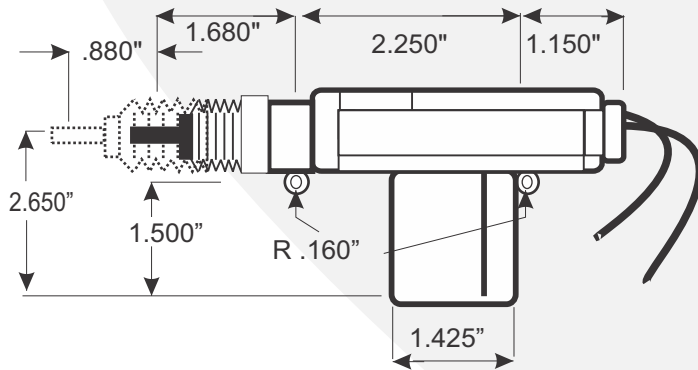


Red actuators employ a unique spring detent feature. The spring detent holds the intended lazy action latch in its designated position. This feature is the principle used with many P.O.P. Locks products.



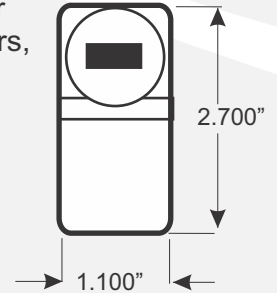
Nominal, 12 VDC
Current with blocked
rotor, 3AMP

Side View



End View

MES actuators share critical dimensions allowing crossover components (i.e., bases, covers, and connecting linkages to be interchangeable.)



TECHNICAL SPECIFICATION FOR MES ACTUATORS

1) Operational Force

VOLTAGE	TEMPERATURE	FORCE
13v+	20 C	30 N
13v+	70 C	25 N
13v+	25 C	30 N

Tolerance for test result -10%, +30%

2) Operational Test

1 Cycle = 1 opening and one closing movement
Test = 50,000 cycles
Load = 20N

Test cycle power on 0.5 seconds power off 15.0 seconds. Motor to be cooled by fan at 50 Celsius.



- 3) Temperature and moisture test
1 Cycle=6 hours at 80 degrees Celsius heat
6 Hours at 50 degrees Celsius 98% humidity
6 Hours at -25 degrees Celsius

Transfer between temperatures within three minutes repeat for 10 cycles (total 180 hours).
- 4) Salt Spray Test
Place device in salt for chamber for 96 hours.
Device should then function as standard.
- 5) Protection against excessive voltages
The actuator must withstand a spike input 24 volts.
- 6) Electromagnetic Compatibility
The actuator must conform to the requirements printed in general motors specifications QT126521
- 7) Radio Interference
The actuator must not affect radio reception or radio telephone transmission.
The requirements are printed in general motors QT12537 Document.
- 8) Electrical Insulation
There should be an insulation resistance higher than 10 M with applied voltage of 500V cc between one terminal and mass.
- 9) Impermeability to water
The actuator must be watertight to the requirements of DIN 40 050.
The test should be carried out with the actuator in its fitted position
- 10) Cable Security
All fitted cables should not pull out under a load of 50N
- 11) Vibration Test
5-60Hz for two hours at 23 degrees Celsius
Amplitude 0.5MM
Cycle time one minute
Vibration direction vertical to mounting
- 12) Casing Material Chemical Resistance
The test to be made to the main outer casing of the actuator by the 'spot' method.

The material shall show no signs of deterioration to petroleum, grease, and hydraulic fluid.

