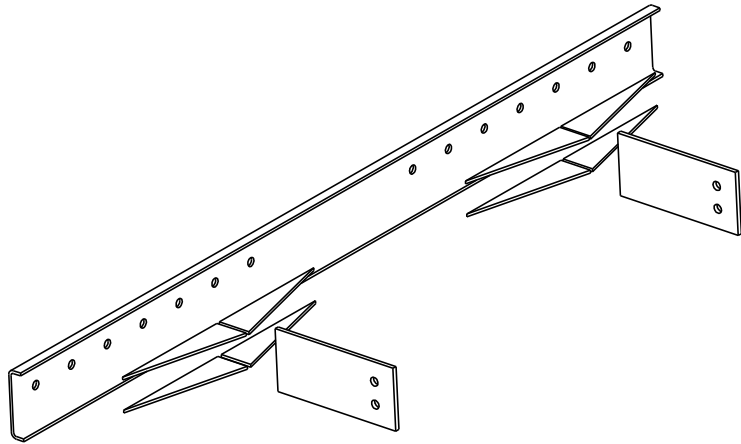
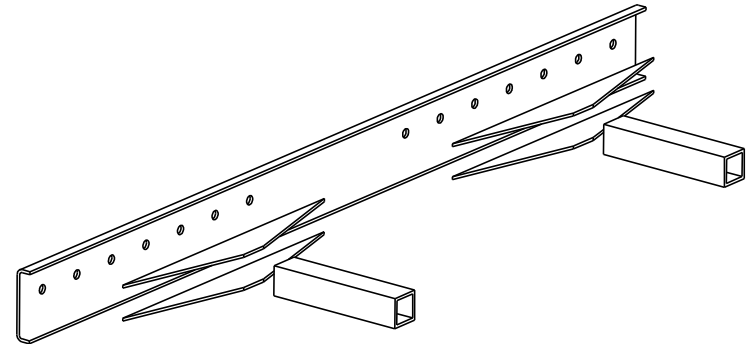


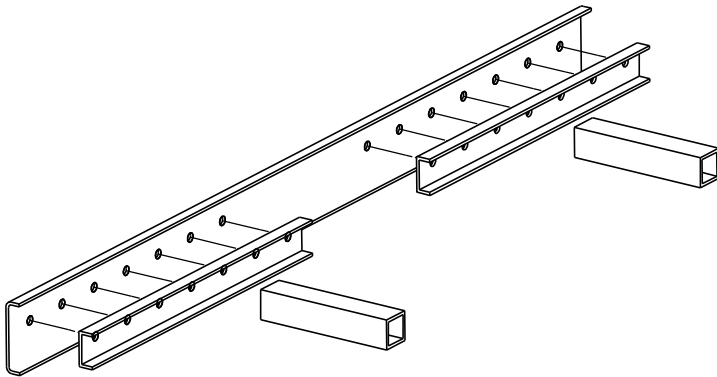
		REVISIONS			
ZONE	REV.	DESCRIPTION		DATE	APPROVED



Mounting Option 1



Mounting Option 2



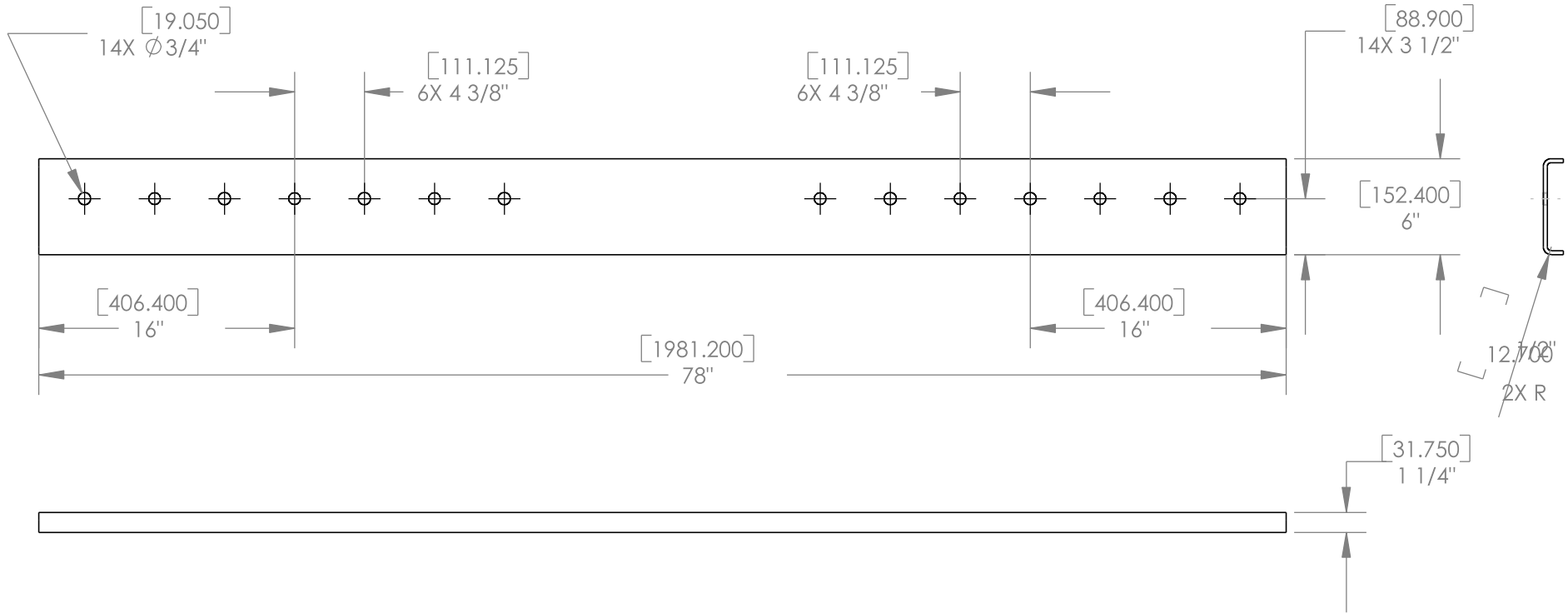
Mounting Option 3

.....
 THE INFORMATION CONTAINED IN THIS DRAWING IS THE SOLE PROPERTY OF HDC, Inc. ANY REPRODUCTION IN PART OR AS A WHOLE WITHOUT THE WRITTEN PERMISSION OF HDC, Inc. IS PROHIBITED.

DIMENSIONS ARE IN INCHES		NAME	DATE
TOLERANCES:		DRAWN	CAK
FRACTIONAL ±		CHECKED	09/22/2006
ANGULAR: MACH ± BEND ±		ENG APPR.	
TWO PLACE DECIMAL ±		MFG APPR.	
THREE PLACE DECIMAL ±		Q.A.	
MATERIAL	--	COMMENTS:	
FINISH	--		
DO NOT SCALE DRAWING			

HDC, Inc.		
Commercial Mounting Options		
SIZE	DWG. NO.	REV.
•		
SCALE:1:15	WEIGHT:	SHEET 1 OF 4

REVISIONS				
ZONE	REV.	DESCRIPTION	DATE	APPROVED



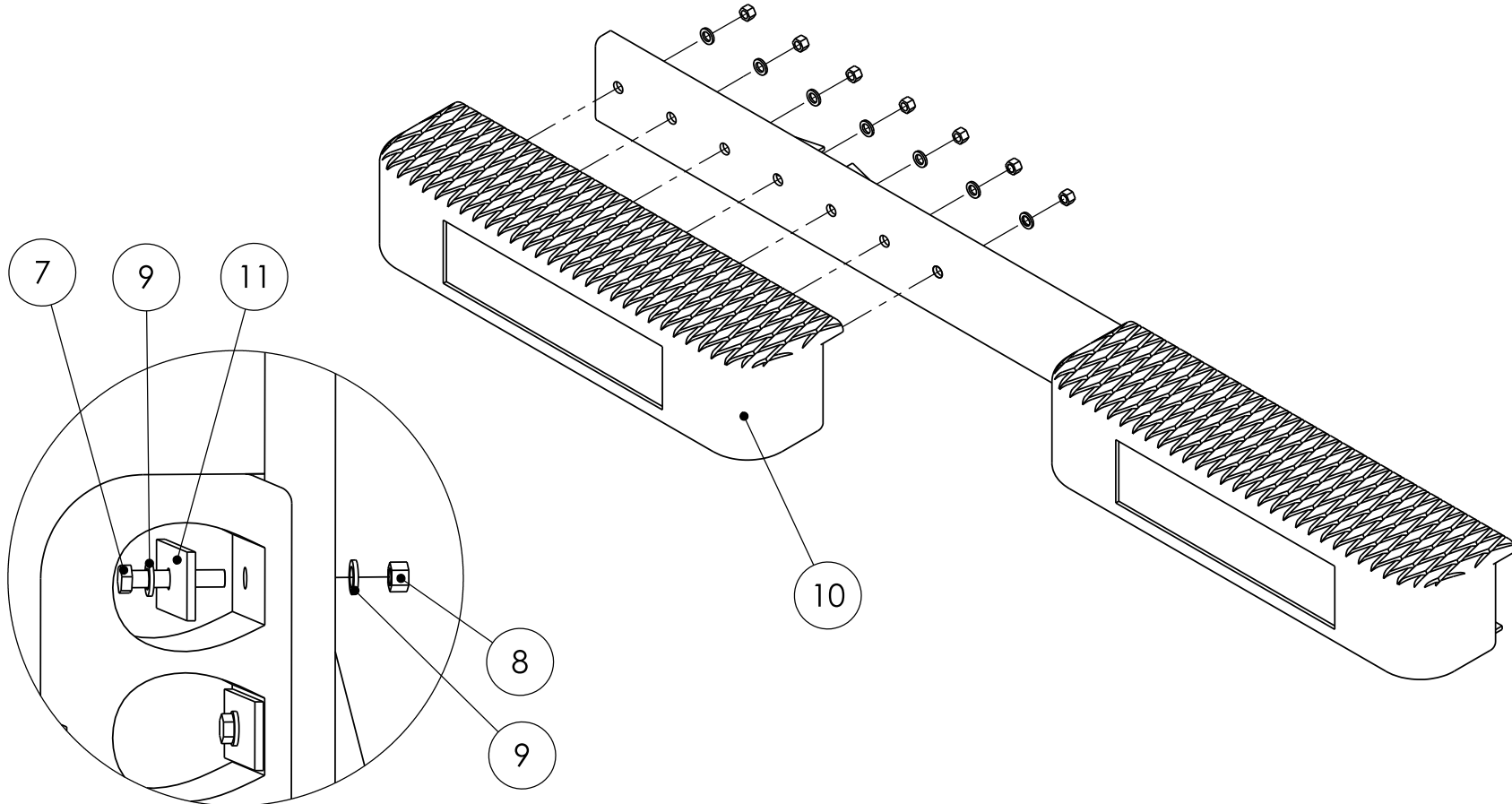
.....
 THE INFORMATION CONTAINED IN THIS DRAWING IS THE SOLE PROPERTY OF HDC, Inc. ANY REPRODUCTION IN PART OR AS A WHOLE WITHOUT THE WRITTEN PERMISSION OF HDC, Inc. IS PROHIBITED.

DIMENSIONS ARE IN INCHES		NAME	DATE
TOLERANCES:		DRAWN	09/08/2006
FRACTIONAL ±		CHECKED	
ANGULAR: MACH ± BEND ±		ENG APPR.	
TWO PLACE DECIMAL ±		MFG APPR.	
THREE PLACE DECIMAL ±		Q.A.	
MATERIAL		COMMENTS:	
1/4" Structural Channel			
FINISH	--		
DO NOT SCALE DRAWING			

HDC, Inc.		
Backbone		
SIZE	DWG. NO.	REV.
•		
SCALE: 1:10	WEIGHT:	SHEET 2 OF 4

Part #	Qty	Description
7	14	5/8"-13 HHCS, 2.75" long, 1.55" thrd
8	14	5/8" Nylon Locking Nut
9	28	0.625" ID, 1.00" OD Washer
10	2	ABumper Pad
11	14	Metal Backing

REVISIONS				
ZONE	REV.	DESCRIPTION	DATE	APPROVED



Hardware Mounting

.....
 THE INFORMATION CONTAINED IN THIS DRAWING IS THE SOLE PROPERTY OF HDC, Inc. ANY REPRODUCTION IN PART OR AS A WHOLE WITHOUT THE WRITTEN PERMISSION OF HDC, Inc. IS PROHIBITED.

DIMENSIONS ARE IN INCHES
 TOLERANCES:
 FRACTIONAL ±
 ANGULAR: MACH ± BEND ±
 TWO PLACE DECIMAL ±
 THREE PLACE DECIMAL ±

MATERIAL --
 FINISH --
 DO NOT SCALE DRAWING

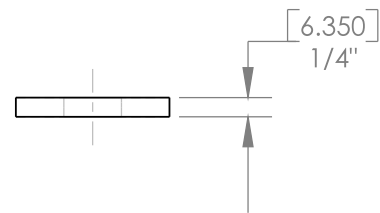
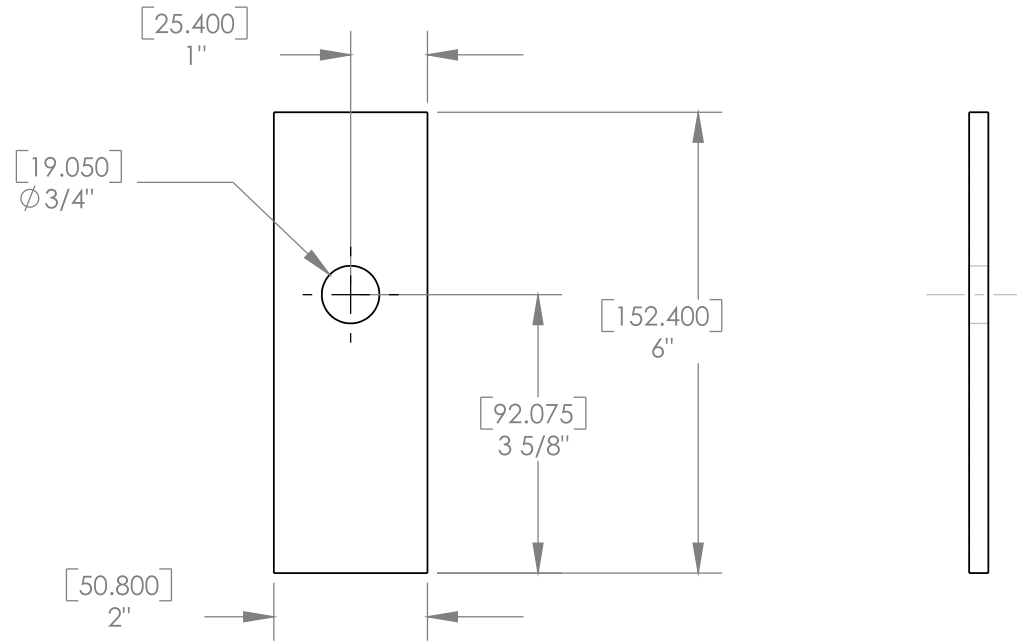
	NAME	DATE
DRAWN	???	??/??/????
CHECKED		
ENG APPR.		
MFG APPR.		
Q.A.		
COMMENTS:		

HDC, Inc.

A-Bumper Mount

SIZE	DWG. NO.	REV.
•		
SCALE: 1:10	WEIGHT:	SHEET 3 OF 4

		REVISIONS		
ZONE	REV.	DESCRIPTION	DATE	APPROVED



.....
 THE INFORMATION CONTAINED IN THIS DRAWING IS THE SOLE PROPERTY OF HDC, Inc. ANY REPRODUCTION IN PART OR AS A WHOLE WITHOUT THE WRITTEN PERMISSION OF HDC, Inc. IS PROHIBITED.

DIMENSIONS ARE IN INCHES		NAME	DATE
TOLERANCES:		DRAWN	CAK
FRACTIONAL ±		CHECKED	09/11/2006
ANGULAR: MACH ± BEND ±		ENG APPR.	
TWO PLACE DECIMAL ±		MFG APPR.	
THREE PLACE DECIMAL ±		Q.A.	
MATERIAL		COMMENTS:	
1/4" Flat Steel Stock			
FINISH --			
DO NOT SCALE DRAWING			

HDC, Inc.		
Metal Backing		
SIZE	DWG. NO.	REV.
•		
SCALE: 1:2.5	WEIGHT:	SHEET 4 OF 4